

SI55



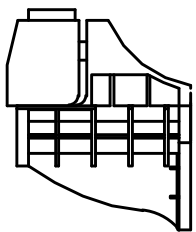
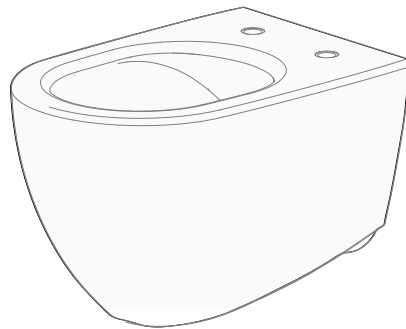
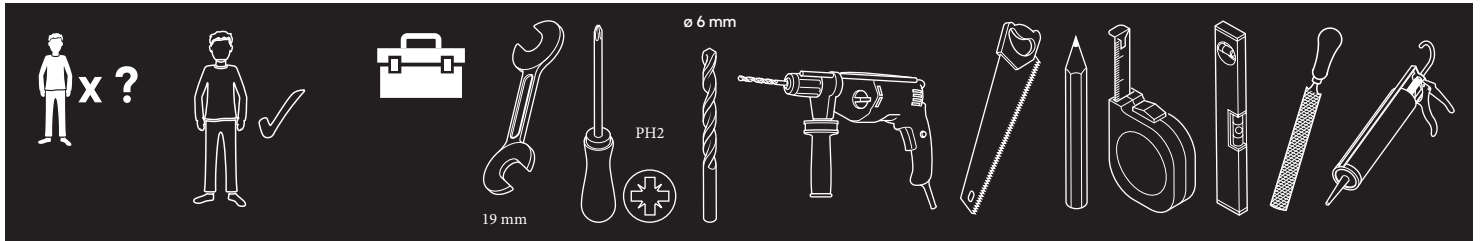
**TOUR 4.0**

**HIDRA**

ISTRUZIONI DI MONTAGGIO /  
ASSEMBLING INSTRUCTIONS

**Istruzioni di montaggio: WC SOSPESO TUWR40**

**Assembling instructions: WALL HUNG WC TUWR40**



(02) x 2



(03) x 2



(04) x 2



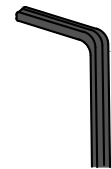
(05) x 2



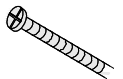
(06) x 2



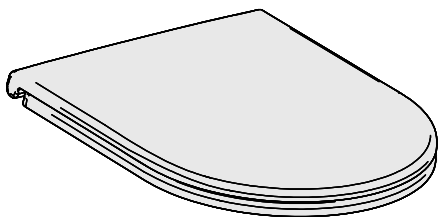
(07) x 1



(08) x 1



(13) x 2



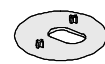
(09) x 1



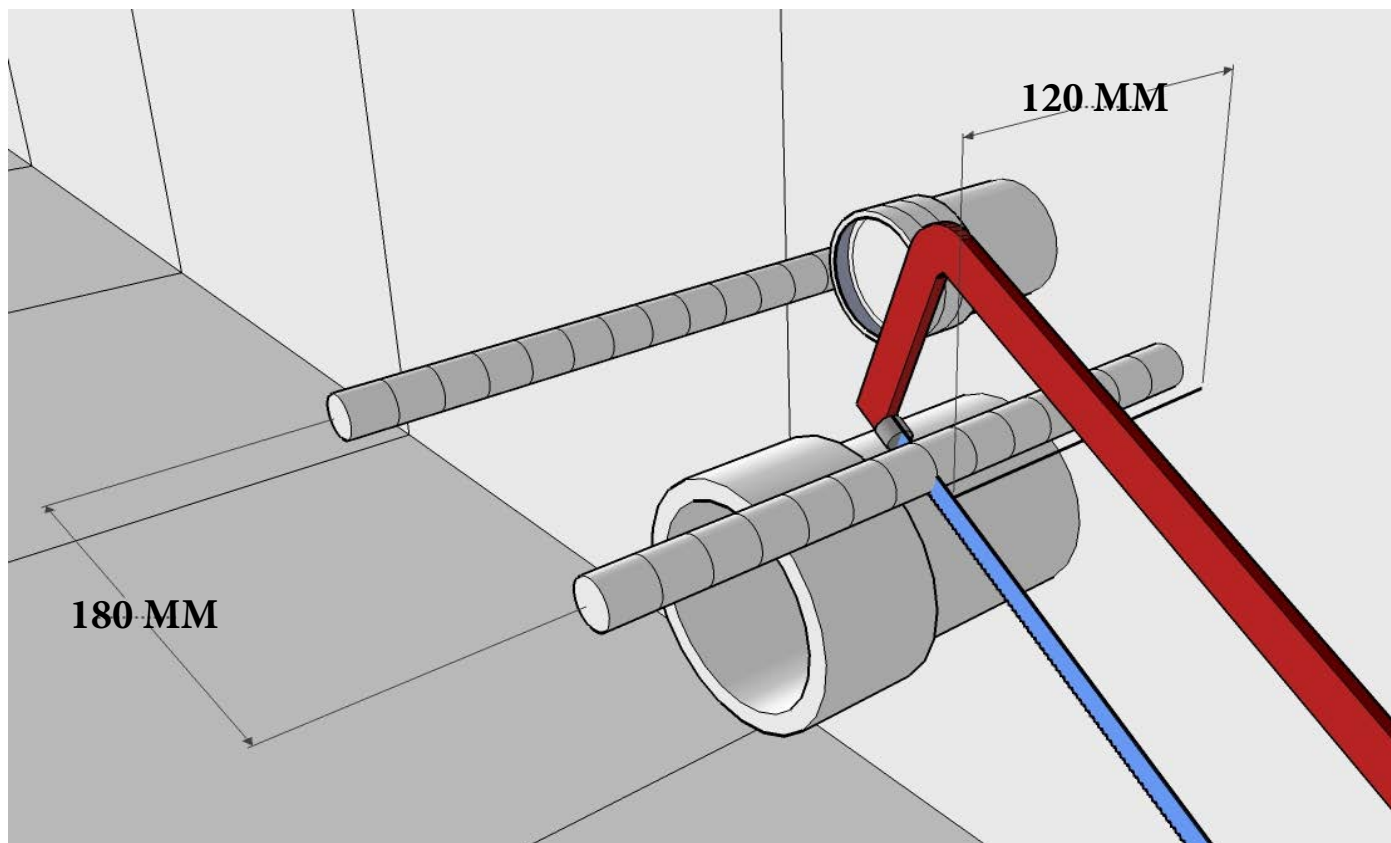
(10) x 2

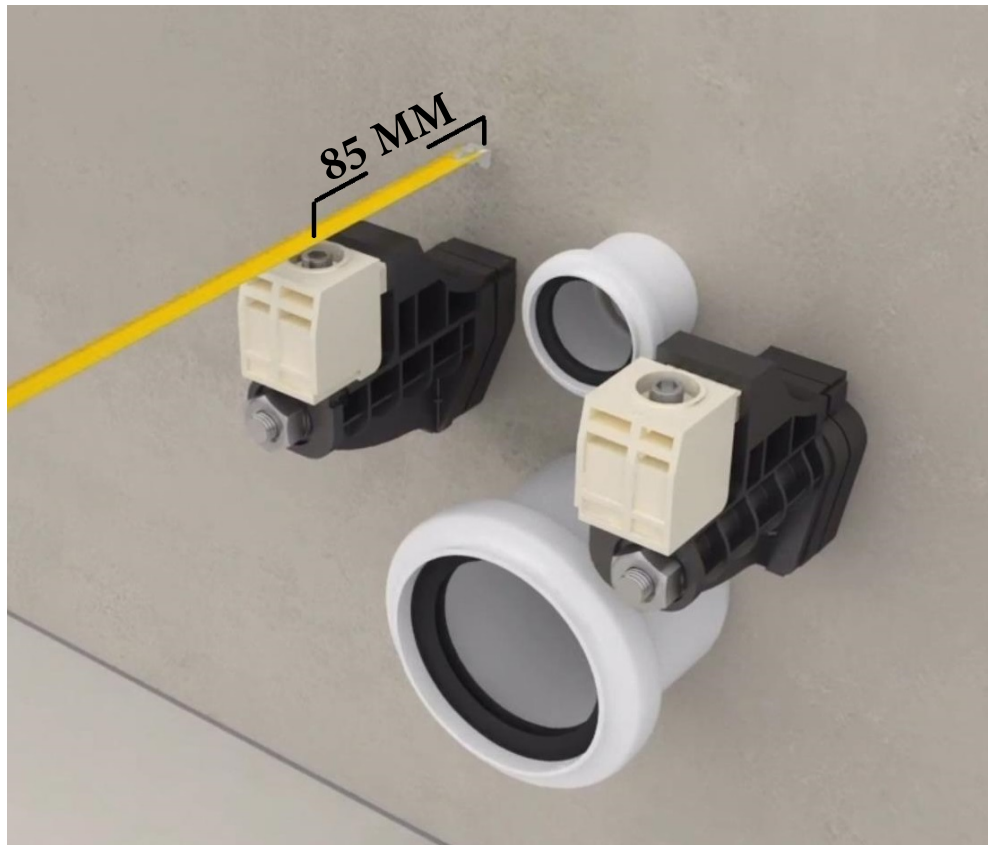
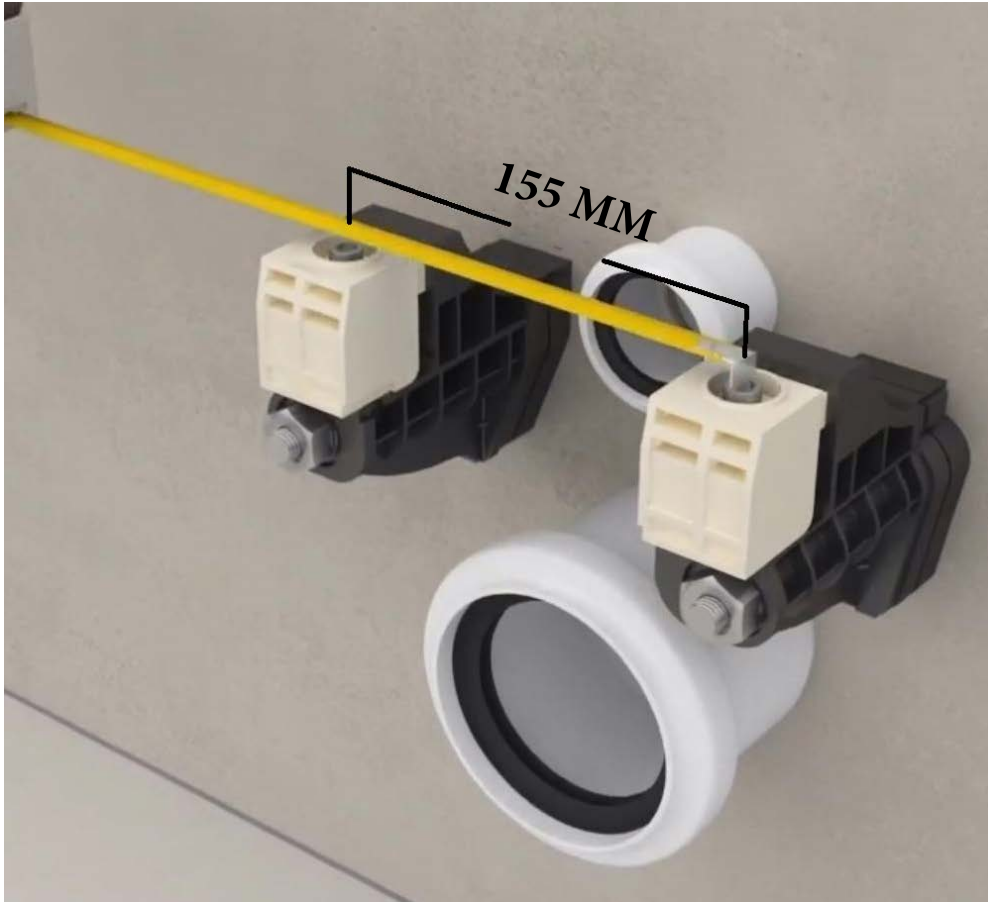


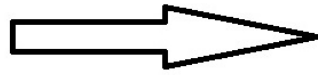
(11) x 2




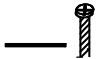



(12) x 2

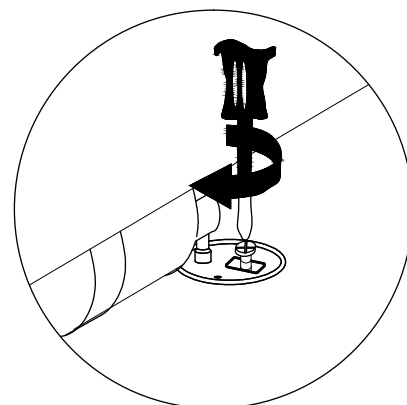
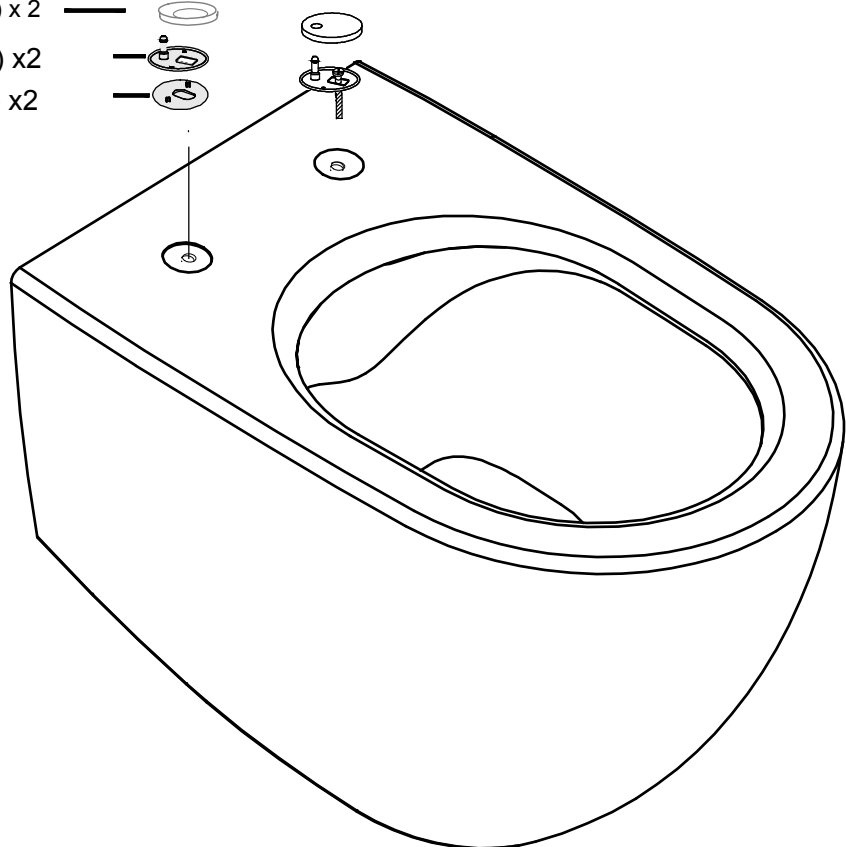








- (10) x2 
- (13) x2 
- (04) x2 
- (11) x2 
- (12) x2 



---

---

---

---

---

---

---

---

---

---

---

---

---

---

---

---

---

---

---

---

---

---

---

---



**HIDRA**